

THERMOSALD ISX-LC / IPX-LC

**THERMOREGULATOR
LOW COST
FOR
IMPULSE SEALING**

TECHNICAL FEATURES

- **THERMOREGULATOR LOW COST OF THE LINE
THERMOSALD ISX-IPX WITH THE SAME
STRUCTURE**
- MECHANICAL AND CONNECTIONS**
- **SET OF PREHEAT AND SEAL TEMPERATURE
BY POTENTIOMETER OR ANALOG OUT OF PLC**
- **ANALOG OUTPUT 0-5V TO PLC
FOR SEALING TEMPERATURE AND ALARMS**
- **NO CONNECTIONS TO THE DISPLAY**
- **COMPLETELY AUTOMATIC CALIBRATING**
- **COMPLETELY DIAGNOSTIC FOR
TROUBLESHOOTING**
- **LOW VOLTAGE SUPPLY 24VDC**
- **WORKING VOLTAGES FROM 230 TO 600 VOLTS**
- **WORKING CURRENTS FROM 10 TO 400 AMPERE**
- **RAM DATA CHECK IN RUN TIME (v4.4)**

- **COMPATIBILITY WITH ALL PREVIOUS ANALOG
MODELS**



INSTALLATION AND USER MANUAL (V8)

3E S.r.l. - Via del Maccabreccia 46 - 40012 CALDERARA DI RENO (BOLOGNA)

Tel. ++39 051 6466225 – 051 6466228

Fax ++39 051 6426252

E-Mail: mail@3e3e3e.com

Web: www.3e3e3e.com

1	INTRODUCTION	4
2	SAFETY INSTRUCTIONS AND CERTIFICATIONS	5
2.1	SAFETY INSTRUCTIONS	5
2.2	COMPLIANCE WITH STANDARDS – CE MARKING	5
3	DESCRIPTION	7
3.1	INTRODUCTION ON THE MARKET	7
3.2	DESCRIPTION OF THE PRODUCT AND ADVANTAGES	7
3.3	OPERATING PRINCIPLE AND ADVANTAGES:	7
3.4	APPLICATIONS	8
4	INSTALLATION	9
4.1	WARNINGS AND REQUIREMENTS FOR INSTALLATION	9
4.2	COMPONENT SELECTION AND TECHNICAL NOTES FOR INSTALLATION	9
4.2.1	SECONDARY/PRIMARY THERMOREGULATOR	9
4.2.2	POWER TRANSFORMER AND SIZING	9
4.2.3	SIZING THE PROTECTION DEVICES	10
4.2.4	ELECTROMECHANICAL SYSTEM	10
4.2.5	MAINS FILTER	10
4.2.6	WIRING	11
4.2.7	INSTALLATION	12
4.3	WIRING DIAGRAMS	13
4.3.1	DIGITAL SIGNAL CONNECTIONS	13
4.3.2	CONTROL ON THE SECONDARY – POWER CONNECTIONS (THERMOSALD ISX-LC)	14
4.3.3	CONTROL ON THE PRIMARY – POWER CONNECTIONS (THERMOSALD IPX_LC)	15
4.3.4	ANALOG CONNECTIONS TO PLC, POTENTIOMETERS, VOLTMETER	16
5	COMMISSIONING	19
5.1	COMMISSIONING WARNINGS	19
5.2	MASTER RESET	19
5.3	CALIBRATION	19
5.4	ANALOG OUTPUT AND DIAGNOSTIC	20
6	MAINTENANCE	21
6.1	REPLACING THE BAND WITH THE MACHINE COLD (i.e. bars at ambient temperature – scheduled maintenance)	21
6.2	REPLACING THE BAND WITH THE MACHINE HOT (i.e. bars at operating temperature - quick intervention)	21
6.3	THERMOREGULATOR MAINTENANCE	21
6.4	GRIPPER JAWS MAINTENANCE	21
7	TECHNICAL DATA	22
7.1	TECHNICAL DATA FOR THE MODULATION-ON-THE-SECONDARY MODEL	22
7.2	TECHNICAL DATA FOR THE MODULATION ON THE PRIMARY MODEL	22
8	ORDERING DATA	23
8.1	CODES FOR ORDERING	23
8.2	SUGGESTIONS FOR CHOOSING THE MODEL	23
	APPENDIX A – SEALING CYCLE	24

APPENDIX D – LIST OF ALARMS AND MESSAGES (CAUSES – REMEDIES)	25
APPENDIX E – MECHANICAL DIMENSIONS	29
APPENDIX F – TABLE OF BANDS	30
APPENDIX G – COMMISSIONING SHEET	31

1 INTRODUCTION

This manual is the only complete document concerning the product represented on the front page. It contains safety instructions, a description of the device and some of its possible applications, instructions for installing, commissioning, servicing and disposing of the product, the codes and some examples for placing orders.

This manual is referred to in all the documents that accompany the product and must be consulted before using the product described.

In particular, read the instructions related to safety, installation, commissioning, servicing and disposal before using the product.

REVISION OF THE MANUAL:

<i>Rev.: 1</i>	<i>Data: 20/09/2017</i>	<i>Software V8.0</i>	
<i>Rev.: 2</i>	<i>Data: 11/12/2017</i>	<i>Software V8.0</i>	
<i>Rev.: 3</i>	<i>Data: 31/08/2020</i>	<i>Software V8.0</i>	<i>Updating Codes Par. 8.1.1</i>

2 SAFETY INSTRUCTIONS AND CERTIFICATIONS

2.1 SAFETY INSTRUCTIONS

- *A proper specific and technical knowledge is required to install, commission, service or use the product. Consult this “USER MANUAL” and follow the instructions contained herein in compliance with the SAFETY REGULATIONS.*
- *Improper use of the apparatus may result in dangerous conditions for the operator and things and people nearby.*
- *Do not use the equipment in an explosive atmosphere or with explosive material.*
- *Do not use the equipment with flammable material without first taking the necessary safety precautions.*
- *Install and use the thermoregulator only in industrial applications.*
- *Use bands or wires with an appropriate positive temperature coefficient ($\geq 8 \times 10E-4$, 800ppm/K).*
- *Do not change the temperature coefficient unless you have sufficient know how.*
- *Mechanically fix the thermoregulator to the plate using the fixing holes.*
- *Before connecting it to the mains, connect the ground protection conductor to the fixing bolt which is identified by a yellow-green PE indicator on the heat sink.*
- *Do not connect the power circuit of the thermoregulator when the machine’s mechanical guards are open.*
- *Do not power the thermoregulator if the protective cover has been removed.*
- *After a MASTER RESET procedure has been performed, set the parameters correctly before using the equipment.*

2.2 COMPLIANCE WITH STANDARDS – CE MARKING

The device complies with the fundamental requirements set forth in the following European Directives that apply to the product with reference to the harmonized standards below:

*ELECTROMAGNETIC COMPATIBILITY DIRECTIVE **2014/30/UE** OF THE EUROPEAN PARLIAMENT AND OF THE COUNCIL of 26 February 2014 on the approximation of the laws of the Member States relating to electromagnetic compatibility and repealing Directive 89/336/CE*

in reference to following standards:

EN 61000-6-2 (2005-08) + EC (2005) + IS1 (2005)

Electromagnetic compatibility (EMC) Part 6-2: Generic standards – Immunity for industrial environments.

EN 61000-6-3 (2007-01) + A1)

Electromagnetic compatibility (EMC) Part 6-3: Generic standards – Emission for residential environments.

EN 61000-6-4 (2007-01) + A1 (2011)

Electromagnetic compatibility (EMC) Part 6-4: Generic standards – Emission standard for industrial environments.

LOW VOLTAGE DIRECTIVE 2014/35/UE OF THE EUROPEAN PARLIAMENT AND OF THE COUNCIL of 26 February 2014 on the harmonization of the laws of Member States relating to electrical equipment designed for use within certain voltage limits

in reference to following standards:

EN 60204-1 + A1 + AC

Safety of machinery –Electrical equipment of machines - Part 1: General requirements.

DIRECTIVE 2002/95/CE OF THE EUROPEAN PARLIAMENT AND OF THE COUNCIL of 27 January 2003 on the restriction of the use of certain hazardous substances in electrical and electronic equipment.

DIRECTIVE 2002/96/CE OF THE EUROPEAN PARLIAMENT AND OF THE COUNCIL of 27 January 2003 on waste electrical and electronic equipment (WEEE).

DIRECTIVE 2011/65/CE OF THE EUROPEAN PARLIAMENT AND OF THE COUNCIL of 8 June 2011 on the restriction of the use of certain hazardous substances in electrical and electronic equipment.

3 DESCRIPTION

3.1 INTRODUCTION ON THE MARKET

THERMOSALD ISX-LC / IPX-LC are the lower cost thermoregulators of the modular line that can be configured and are compatible with one another. THERMOSALD ISX-LC / IPX-LC springs from the company's long experience in the impulse sealing field and maintains total compatibility with all previous thermoregulators, namely THERMOSALD PWM, THERMOSALD SCR, THERMOSALD UPSCR and THERMOSALD ISC.

3.2 DESCRIPTION OF THE PRODUCT AND ADVANTAGES

Like the previous impulse thermoregulators, THERMOSALD ISX – IPX can quickly heat a sealing band or cutting/sealing wire to the set temperature without using additional probes. This technology makes it possible to obtain very high working speeds for sealing polyethylene, polypropylene, environment-friendly products and plastics in general.

The temperature is controlled directly on the sealing line and the temperature can be maintained even at high speeds. It avoids temperature drift between the first sealing operation and the next ones in production, it prevents the support bars from overheating, thus avoiding any subsequent mechanical problems caused by expansion. A cooling air blow and other precautions may further increase the speed and improve the sealing quality.

Below is a list of the most important functional-technical features of the new THERMOSALD ISX-LC / IPX-LC:

- *24VNS insulated POWER SUPPLY: in the THERMOSALD ISX_LC version with control on the secondary, it allows the same thermoregulator to be used regardless of the mains voltage.*
- *POWER TRANSFORMER CONTROL ON THE SECONDARY OR PRIMARY: it allows the User to choose the best solution to the problem he/she has to solve within a voltage range of 230 to 600 Volts or current range of 150 to 400 Ampere. .*
- *ANALOG INPUT: analog input from potentiometer or PLC outputs for setting the preheat or seal temperature.*
- *ANALOG OUTPUT: analog output 0-5Volts to the PLC for sending the temperature of the sealing band or the alarms.*
- **COMPATIBILITY WITH ALL PREVIOUS THERMOREGULATORS:** that allows spare parts to be replaced on obsolete models
- **COMPLETELY AUTOMATIC CALIBRATION:** just press the calibration button on the thermoregulator for 3 seconds or high the CALIBRATING INPUT for 3 seconds.
- **GOOD DIAGNOSTICS FOR TROUBLESHOOTING:** in case of alarm the leds of balance lamp to indicate exactly the number of alarm; a digital output more an analog output inform the PLC.

3.3 OPERATING PRINCIPLE AND ADVANTAGES:

At all network cycles THERMOSALD ISX – IPX reads the voltage and current on the band, calculates the resistance and then the temperature, which depends on the resistance, and controls the current that heats the band in a closed loop; this current is generated by a power transformer by means of phase control performed on the secondary of the power transformer in the THERMOSALD ISX configuration and on the primary of the power transformer in the THERMOSALD IPX configuration: selection can be made according to machine requirements or company situations.

The new structure of the thermoregulator allows the user to operate without virtually having voltage or current limits as the problem shifts completely on to the power transformer and the system technical standards. For further information and details please refer to paragraph CONFIGURATIONS AND ADVANTAGES below.

3.4 APPLICATIONS

On all packaging machines that require polyethylene, polypropylene, environment-friendly and plastic films to be sealed or cut/sealed, vertical and horizontal filling machines, bundling machines, shoppers, vacuum machines, etc.

4 INSTALLATION

4.1 WARNINGS AND REQUIREMENTS FOR INSTALLATION

- BEFORE STARTING to INSTALL carefully read the SAFETY WARNINGS contained in this manual.
- This apparatus must be installed in accordance with the requirements set forth in standard CEI - EN60204
- This apparatus must be installed carefully following the instructions contained in this USER MANUAL
- This apparatus must be installed by skilled and properly trained personnel

4.2 COMPONENT SELECTION AND TECHNICAL NOTES FOR INSTALLATION

(Please refer to the diagrams under paragraph 4.3)

Below are the calculations to define the voltage and current required for the best application; select the suitable THERMOSALD ISX-LC / IPX-LC from the order table according to the values calculated.

4.2.1 SECONDARY/PRIMARY THERMOREGULATOR

- The apparatus must be installed inside an electrical panel, protected against dust, water and corrosive acids.
- The apparatus does not require special ventilation when used, but must be installed in a properly ventilated area; when the machine reaches steady-state operation, check that the heat sink of the thermoregulator does not exceed 60°C, if so, increase ventilation; a safety temperature probe is installed in models ISX2 and IPX2.

4.2.2 POWER TRANSFORMER AND SIZING

- A power transformer suitable for the circulating currents must be envisaged to supply power to the sealing band as indicated in the diagrams (ref. par. 4.3); in the case of a overlapped winding transformer, place a shield between the primary and secondary to avoid mains leaks on the secondary

-The power transformer can be sized simply using the thermoregulator's panel (diagnosis menu – see description in the commissioning section) or as follows:
Calculate the band cross-section $CROSS-SECTION[sq.mm] = WIDTH[mm] \times THICKNESS[mm]$

Calculate rated heating current $I_{nom} [A] = 30[A/sq.mm] \times CROSS-SECTION[sq.mm]$

Calculate useful resistance $R_u[ohm] = Specific\ resistance[ohm/m] \times Useful\ length [m]$

Calculate the rated voltage and power

$V_{nom}[V] = R_u[ohm] \times I_{nom} [A]$, $P_{nom} = V_{nom} \times I_{nom}$.

Follow the suggestions of the notes below:

NOTE1: maximum theoretical voltage V_T and current I_T of the transformer are calculated according to the machine's speed requirements: a coefficient $\times 1.5$, $\times 2$, i.e. $V_T = V_{nom} \times$ coefficient, $I_T = I_{nom} \times$ coefficient, can be applied.

NOTE2: the maximum theoretical power of the transformer is calculated without considering the first full-wave heating impulses and according to a phase modulation mean factor, $P_T = V_T \times I_T \times 0.7$

NOTE3: the actual mean power of the transformer depends on the number of sealing operations per minute, the ratio between the active state and sealing cycle period and the thickness of the film to be sealed; due to overall dimension reasons and costs, the P_T theoretical power can be declassified introducing a SIF intermittent duty-type of the transformer (which, according to experience, should be about 50%-40%).

NOTE: For support CONTACT our TECHNICAL OFFICE

4.2.3 SIZING THE PROTECTION DEVICES

Envisage a D CURVE protection thermal magnetic circuit breaker to disconnect the mains as indicated in the diagrams (ref. par. 4.3).

Calculate the breaking current = theoretical heating current I_T divided by secondary-primary coils ratio Q .

$I_{\text{thermal magnetic circuit breaker}} = I_T / Q$

NOTE1: the value of the protection device of the power transformer's secondary must be the same as or higher than the calculated theoretical current I_T ; this protection device trips on the cables and band downstream of it. Considering that the thermoregulator is already fitted with an electronic protection device on the cables' and band's current, the fitter should analyze the possibility of not installing said protection device on the basis of the application.

NOTE2: please note that the suggested protection devices must be verified by the designer according to the application.

4.2.4 ELECTROMECHANICAL SYSTEM

-The safety chain must be made like the one in the base drawing (ref. par. 4.3). the emergency output contact must interrupt the power electromechanically; in particular, it must open the contactor necessary for interrupting the power transformer's power supply. this contact must be suitable for the circulating currents; this interruption is crucial because if the electronic switch inside the thermoregulator fails (very rare event), only the contactor can prevent the bands from overheating and breaking.

- Install an emergency button as indicated in the diagrams (ref. Par. 4.3). It must only be possible to reset this button manually and must be placed in a non-dangerous area that the operator can access easily.

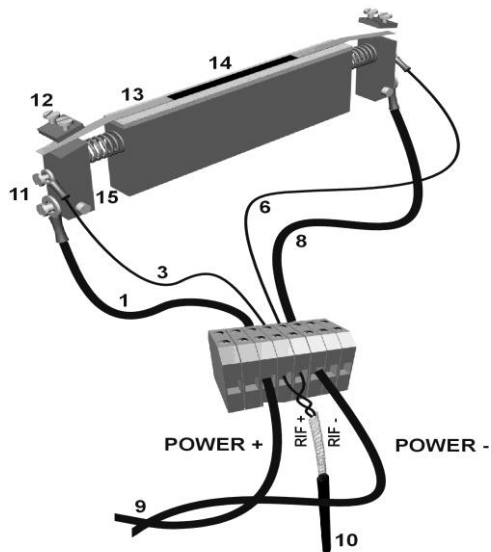
4.2.5 MAINS FILTER

-No cases of interference with equipment nearby have occurred with THERMOSALD ISX, phase control on the secondary. The system designer has to decide whether or not one single filter should be fitted at the input of the system for the entire machine according to the emission measurements taken on the mains.

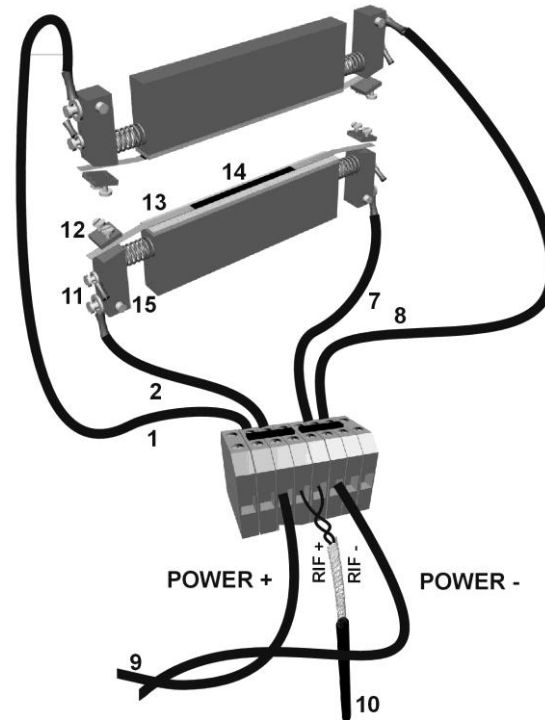
-A mains filter is recommended for THERMOSALD IPX, phase control on the secondary. The system designer has to decide whether or not one single filter should be fitted at the input of the system for the entire machine according to the emission measurements taken on the mains.

4.2.6 WIRING

SINGLE BAND CONNECTION



PARALLEL BAND CONNECTION



The apparatus must be installed inside an electrical panel, screwed on a iron plate zinc plated.

Warning: one end of the band's power circuit is connected to PE; this connection is made in the grey power terminal block CN1, terminals 2 and 3. Do not ground the band directly.

The transformer-thermoregulator cables must be twisted

The power cables to the band can be laid in a cable duct with other cables but must be twisted to avoid any interference. If other apparatus electrically much noise are in the plant (electric welder, brushless driver, inverter), it's possibly increase noise immunity using use shielded cables in compliance with EMC requirements.

Cable cross-section 10 sq.mm for bands with a total cross-section ≤ 2.0 sq.mm (e.g. 2 bands in parallel 4 x 0.25)

16sq.mm for bands with a total cross-section > 2.0 sq.mm (e.g. 2 bands in parallel 6 x 0.3)

The reference cables must be shielded-twisted; for the best connection fix them directly on the terminals of a band. To increase the system's strength, and as our long experience has taught us, we recommend you to connect wire to a terminal near sealing bands as indicated in the adjacent drawings.

Set the wiring so as to obtain 1 independent box with the support terminal block for every

thermoregulator so as to ensure that the cables of a thermoregulator do not get

tangled with the cables of another thermoregulator or of another electrical noise units.

In compliance with EMC requirements MAINS FILTER is not necessary on the application with control on the secondary

4.2.7 INSTALLATION

Electrically disconnect the electrical panel and make sure no voltage is being supplied to the mains connection terminals.

Screw the thermoregulator on the bottom of the electrical panel.

Connect the ground wire (with the same cross-section as the power cables) to the thermoregulator's PE bolt.

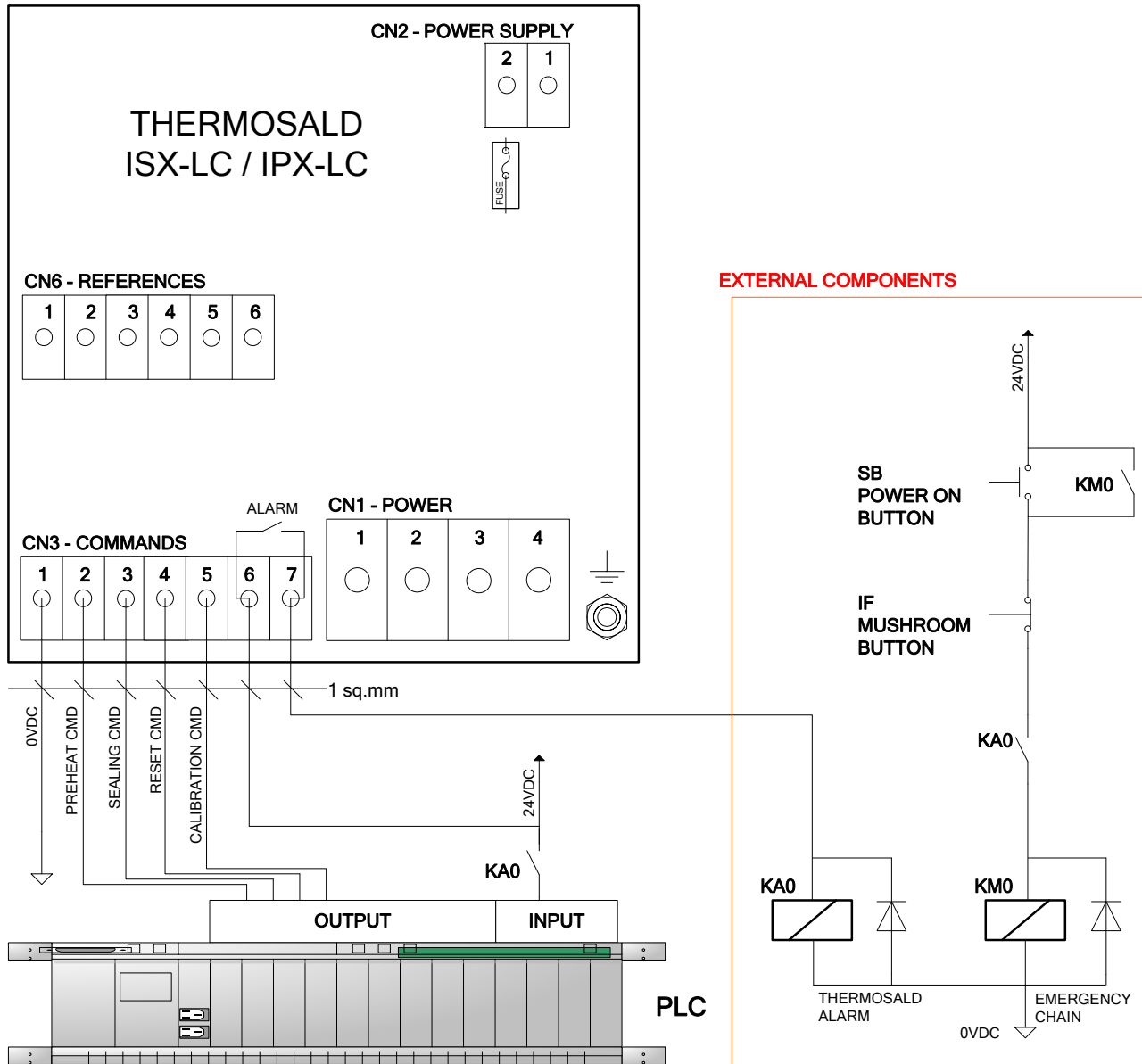
Wire the power cables as described previously.

Wire the reference cables as described previously.

Perform the safety chain as described previously.

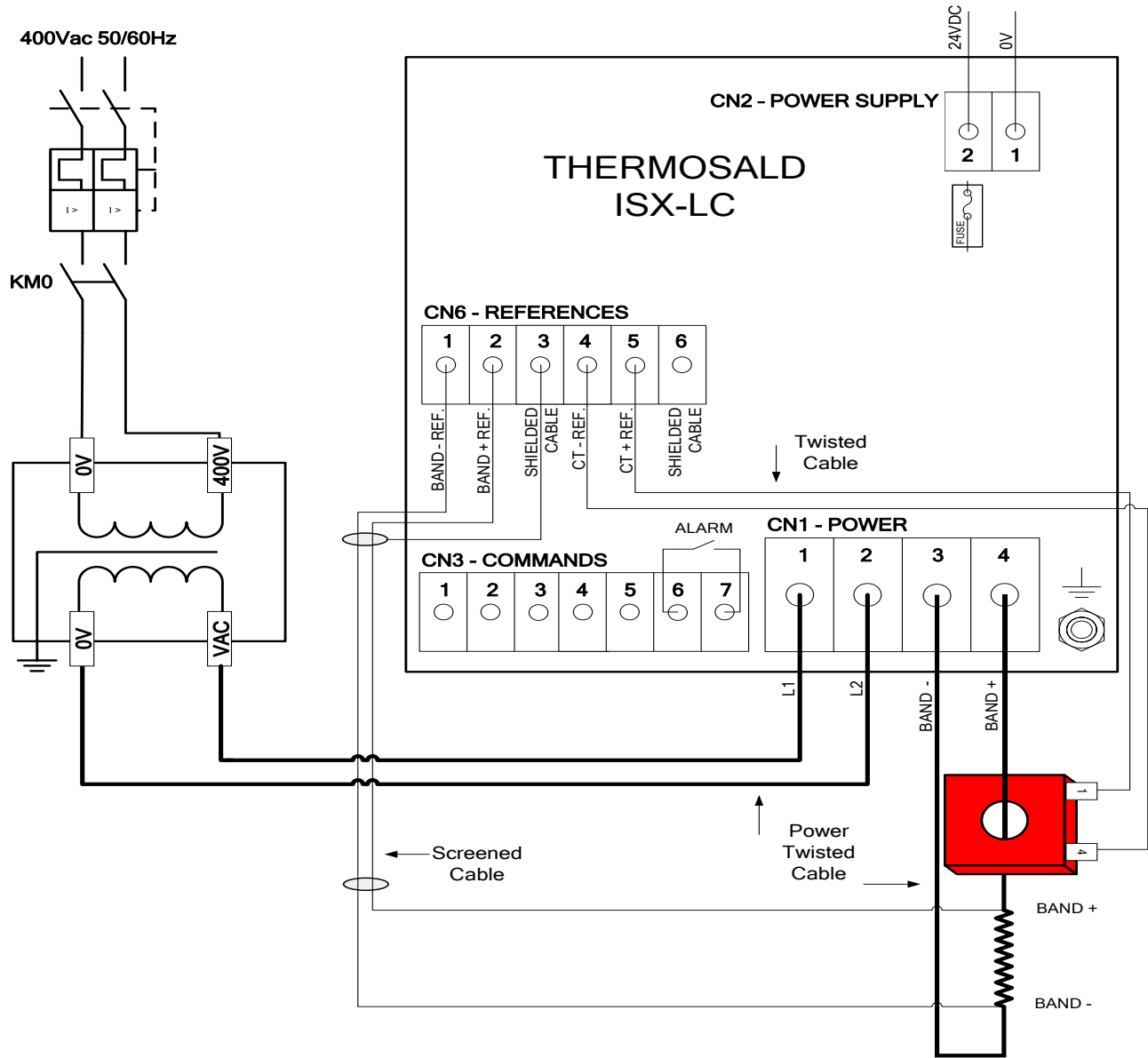
4.3 WIRING DIAGRAMS

4.3.1 DIGITAL SIGNAL CONNECTIONS



CONSTRUCTION NOTES:

4.3.2 CONTROL ON THE SECONDARY – POWER CONNECTIONS (THERMOSALD ISX-LC)



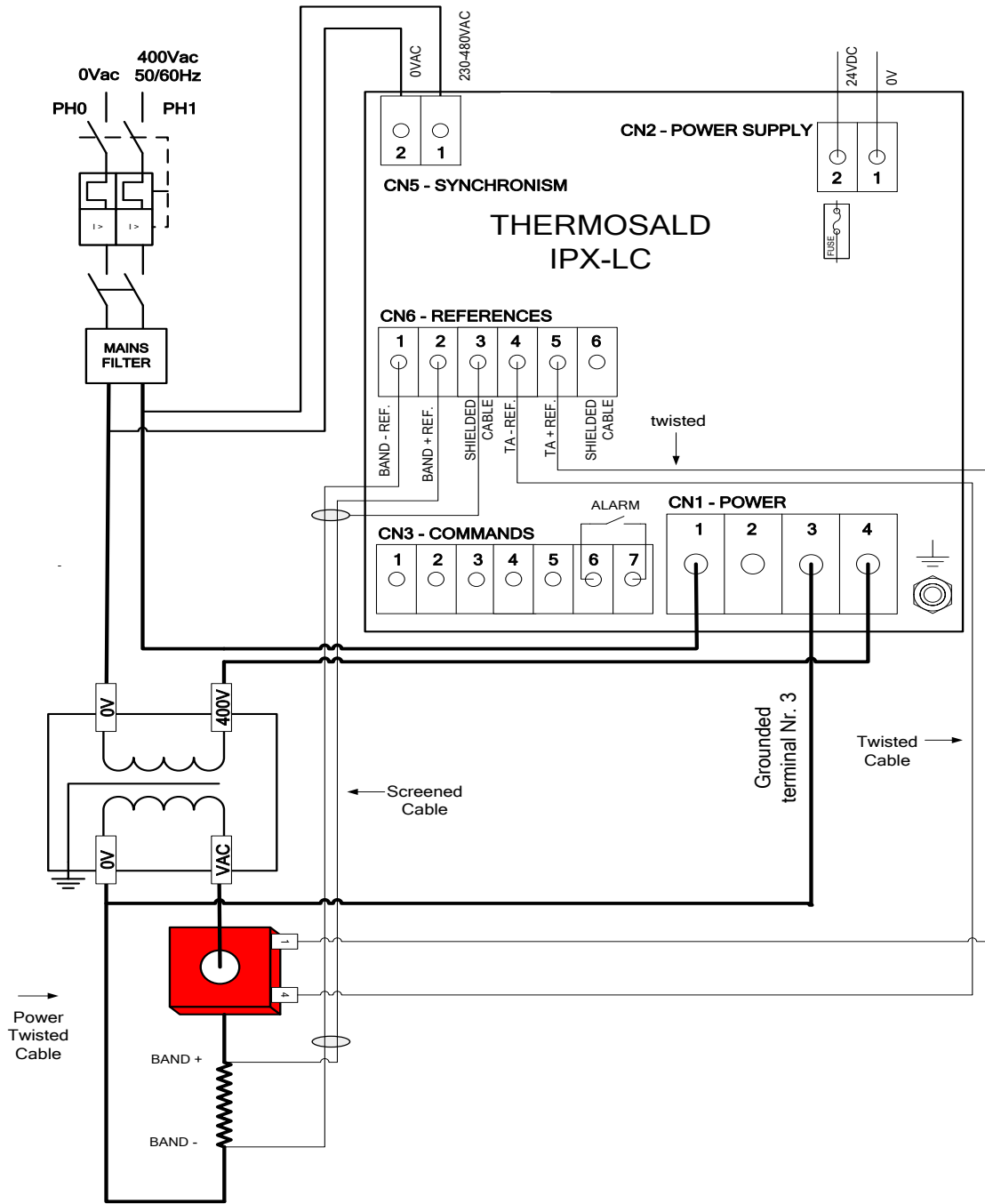
TECHNICAL NOTES:

In observance to the EMC norme the main filter cannot be used.

CONSTRUCTION

NOTES:

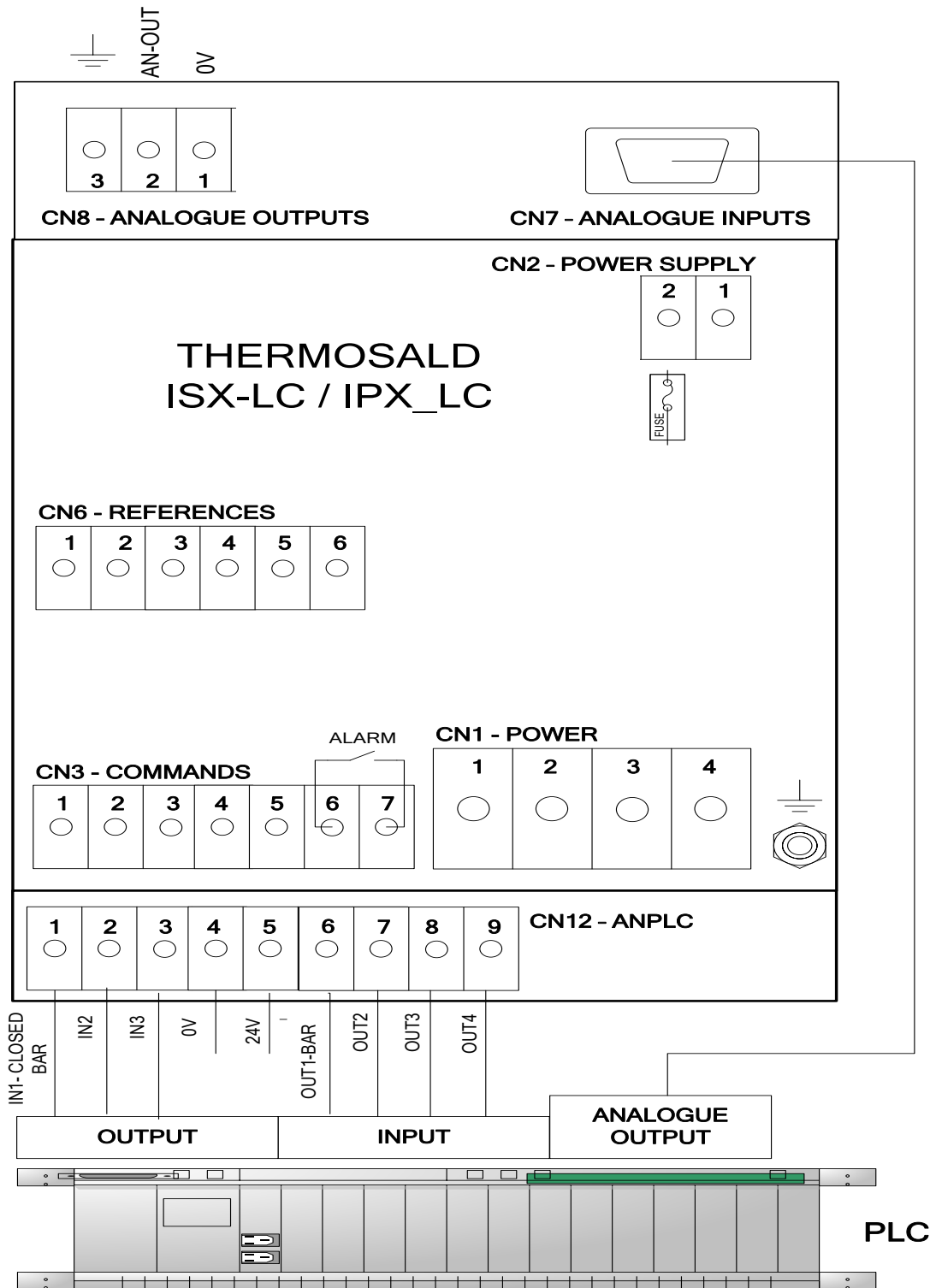
4.3.3 CONTROL ON THE PRIMARY – POWER CONNECTIONS (THERMOSALD IPX_LC)



TECHNICAL NOTES:

CONSTRUCTION NOTES:

4.3.4 ANALOG CONNECTIONS TO PLC, POTENTIOMETERS, VOLTMETER



LIST OF EXCHANGE SIGNALS

List of the connections and related PINS of

CN1 – POWER TERMINAL BLOCK (MODEL WITH CONTROL ON THE SECONDARY)

PIN1	ALTERNATING POWER SUPPLY
PIN2	ALTERNATING POWER SUPPLY
PIN3	BAND -
PIN4	BAND +

NOTE1: We recommend you twist the power cables

CN1 – POWER TERMINAL BLOCK (MODEL WITH CONTROL ON THE PRIMARY)

PIN1	ALTERNATING POWER SUPPLY INPUT (230VAC)
PIN2	
PIN3	CONNECT TO 0V OF THE POWER SECONDARY TO CHECK GROUND CURRENT
PIN4	PHASED POWER SUPPLY OUTPUT TO THE PRIMARY OF TRANSFORMER

NOTE1: We recommend you twist the power cables

NOTE2: Alternating supply of the control circuit with the same phase as that of the power circuit

CN2 – CONTROL CIRCUIT POWER SUPPLY TERMINAL BLOCK

PIN 1	0 Vdc	(max absorption: 0.5 A)
PIN 2	24 Vdc	(max absorption: 0.5 A)

NOTE1: 0-24VDC is insulated from the internal power supply and ground

CN3 – COMMAND TERMINAL BLOCK

PIN1	0 V PLC COMMON (24 Vdc)	(max absorption: 0.1 A)
PIN2	PREHEATING COMMAND FROM 24 Vdc PLC (0)	(20 mA max)
PIN3	SEALING COMMAND FROM 24 Vdc PLC (0)	(20 mA max)
PIN4	RESET COMMAND FROM 24 Vdc PLC (0) DC	(20 mA max)
PIN5	CALIBRATION COMMAND FROM 24 Vdc PLC (0) DC	(20 mA max)
PIN6	SEALING ALARM (N.C. CONTACT)	(4 A max)
PIN7	SEALING ALARM (N.C. CONTACT)	(4 A max)

CN5 – PHASE INPUT TERMINAL BLOCK FOR SYNCHRONISM

PIN1	230-480 VAC MAIN NET SYNCHRONISM (10ma max)
PIN2	0 VAC (10ma max)

CN6 – REFERENCE TERMINAL BLOCK

PIN1	REF- BAND REFERENCE	(1 mA max)
PIN2	REF+ BAND REFERENCE	(1 mA max)
PIN3	REF0 REFERENCE CABLE SHIELD (do not connect on the machine side)	
PIN4	CT- REFERENCE	(500 mA max) twisted cable
PIN5	CT+ REFERENCE	(500 mA max) twisted

		cable
PIN6	N.C.	

CN7 - POTENTIOMETER CONNECTOR (9 POLES, MALE)

PIN1	+4.5V PREHEAT POTENTIOMETER 10Kohm	(1 mA max)
PIN2	REF+ PREHEAT POTENTIOMETER 10Kohm	(1 mA max)
PIN3	0V PREHEAT POTENTIOMETER 10Kohm	(1 mA max)
PIN4	jumper PIN3 and PIN4	(1 mA max)
PIN5		
PIN6	+4.5V SEALING POTENTIOMETER 10Kohm	(1 mA max)
PIN7	REF+ SEALING POTENTIOMETER 10Kohm	(1 mA max)
PIN8	0V SEALING POTENTIOMETER 10Kohm	(1 mA max)
PIN9	jumper PIN8 and PIN9	(1 mA max)

NOTE1: if piloted from analogue PLC output, use PIN2,PIN3,PIN7,PIN8 and leave PIN4-PIN9 free.

NOTE2: REF-, REF+: we recommend you use a shielded twisted pair (e.g. TWINAX IBM cable, our code 3esd0066)

CN8 – ANALOGUE OUTPUT TERMINAL BLOCK

PIN 1	0 Vdc ANALOGUE	(5ma max)
PIN 2	0-5 Vdc ANALOGUE REFERENCE OUTPUT	(5ma max)
PIN 3	ANALOGUE REFERENCE OUTPUT CABLE SHIELD	

5 COMMISSIONING

5.1 COMMISSIONING WARNINGS

-BEFORE STARTING COMMISSIONING carefully read the SAFETY WARNINGS and INSTALLATION WARNINGS in the USER AND INSTALLATION MANUAL this chapter is an integral part of or a copy of it.

-The system must have been sized as specified in the installation warnings and built in a workmanlike fashion.

-No alarm must be active; in the event of an alarm, the red ALARM LED on, follow the thermoregulator's suggestions and solve (the alarm number can be identified by counting the impulses of the green balance LED for tens – e.g. 9 impulses = 90 - + the impulses of the red balance LED for units – e.g. 10 impulses = 0 - 8 impulses=8)

-For any further information do not hesitate to contact 3E.

5.2 MASTER RESET

-The thermoregulator is provided in the MASTER RESET condition. After every MASTER RESET the parameters return to the default status: in this case the 6 led on the equipment in the right are blinking. To do a MASTER RESET do as follow:

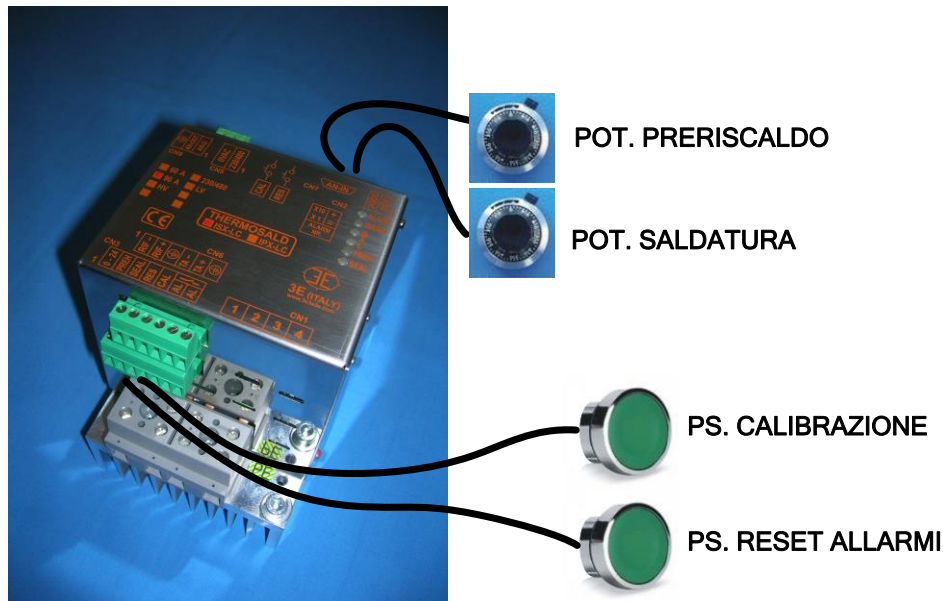
Step 1 – verify the preheat and sealing commands must be deactivated (the preheat and seal led must be off on the unit).

Step 2 – keep pressed for 6 seconds the RESET + CALIBRATION button on the carter of the thermoregulators; the 4 LEDs on the equipment remain on for 3 seconds.

Step 3 – at the end of master reset the 4 LEDs will blink to indicate that a CALIBRATING will be necessari.

NOTE: It's possibile also to do a MASTER RESET from far distance, keeping the external RESET + CALIBRATION command on for 6 seconds.

5.3 CALIBRATION



Step 1 – calibrate only after reading the commissioning warnings.

Step 2 – the machine must be at ambient temperature

Step 3 – the preheat and sealing commands must be deactivated

Step 4 – power on the thermoregulator; if the thermoregulator is in MASTER RESET, without alarm, the 6 leds blinking.

Step 5 – in the event of an alarm, red ALARM LED on, follow the thermoregulator's suggestions and solve.

Step 6 – keep the key CAL for 3 seconds and wait: the leds green-red of balancing blinking up to the end after about 30 seconds.

Step 7 – set the preheat and sealing temperatures with 2 potentiometers 10Kohm (30 degrees/turn) or with analogue plc outputs (13mV/degree – 13mv x 300°C = 3.9V, 4.2V alarm, range 0-5V).

NOTA 1: It's also possibile to do a CALIBRATING from far distance, keeping the external CALIBRATION command on terminal CN3 up for 3 seconds.

NOTA 2: if calibration problems occur, perform a MASTER RESET and proceed from step 2.

5.4 ANALOG OUTPUT AND DIAGNOSTIC

The thermoregulators is equiped by an analog output 0-5V to output temperature in case of standard functionment, to output alarm number in case of alarm.

Case of standard functionment without power (warn33):

Alarm relay output: closed (CN3/6-CN3/7)

Analog output: 0 V

Case of standard functionment with power:

Alarm relay output: closed (CN3/6-CN3/7)

Analog output: temperature 10mv / degree (e.g. 1Volt = 100 degree)

Case of alarm (see alarm table, appendix D):

Alarm relay: open (CN3/6-CN3/7)

Analog output:	1.0 V	alarm 78 – equipment not calibrated
	1.5 V	alarm 46 – no current signal
	2.0 V	alarm 48 – preheat potentiometer connections
	2.0 V	alarm 49 – seal potentiometer connections
	2.5V	alarm 69 – ground current
	3.0V	alarm 89 – break of 1 of 2 bands in parallel
	3.5V	alarm 93 – seal command without power
	4.0V	alarm 94 – reference cable interruption
	4.5V	alarm 97 – partial short circuit between the bands
	4.5V	alarm 76 – current too high-circuits in saturation
	5.0V	alarm non specific: see the blinking of leds green-red alarm.

6 MAINTENANCE

6.1 REPLACING THE BAND WITH THE MACHINE COLD (i.e. bars at ambient temperature – scheduled maintenance)

- 1 – Power off, remove the preheat and sealing commands, let the gripper jaws cool down.
- 2 – Mount the new bands.
- 3 – Power on.
- 4 – Calibrate in order to compensate for any minor mechanical differences of the band (in most cases ambient temperature does not need to be changed in the setting data).
- 5 – THE MACHINE is ready to work.

6.2 REPLACING THE BAND WITH THE MACHINE HOT(i.e. bars at operating temperature - quick intervention)

- 1 – Power off, remove the preheat and sealing commands, let the gripper jaws cool down so the operator can work comfortably.
- 2 – Mount the new bands.
- 3 – Power on.
- 4 – If there are no great mechanical differences in the bands THE MACHINE is ready to work.

6.3 THERMOREGULATOR MAINTENANCE

To be scheduled according to the work environment, in any case with routine maintenance intervals should be no longer than 180 days.

- 1 – Make sure the connection terminals are properly screwed.
- 2 – Periodically check correct operation of the output safety alarm contact.

6.4 GRIPPER JAWS MAINTENANCE

To be scheduled according to the work environment at periodic intervals.

- 1 – Make sure the feedback reference terminals and power terminals are properly screwed.
- 2 – Make sure the band's terminals are highly conductive and do not show any oxidation or bad contacts: if so, service them accurately.
- 3 – Check the band's supports in insulating material and Teflon.

7 TECHNICAL DATA

7.1 TECHNICAL DATA FOR THE MODULATION-ON-THE-SECONDARY MODEL

CONTROL POWER SUPPLY (CN2)	24VDC +/- 20% (max absorption: 0.2 A)
POWER SUPPLY	SECONDARY POWER TRANSFORMER
SHORT CIRCUIT CURRENT	300 Ampere
MAINS FREQUENCY	50 – 60 Hz automatic switchover
DIGITAL COMMANDS	24 VDC (max absorption: 20 ma)
SEALING ALARM CONTACT	250 V 4 A
STANDARD RESOLUTION	0.3 degree
REPETITIVENESS	≅ +/- 1°C
PRECISION	Depend of the thermic drift of sealing band
PREHEATING TEMPERATURE	Can be set by analog input 0-300°C
SEALING TEMPERATURE	Can be set by analog input 0-300°C
SEALING AND COOLING-DOWN TIME	External by PLC
WORKING ENVIRONMENT TEMPER.	-40°C + 50°C
THERMOREGULATOR PROTECTION RATING	IP00
POWER UNIT WEIGHT	kg 1.6

7.2 TECHNICAL DATA FOR THE MODULATION ON THE PRIMARY MODEL

CONTROL POWER SUPPLY (CN2)	24VDC +/- 20% (max absorption: 0.2 A)
POWER SUPPLY	230-480VAC
SHORT CIRCUIT CURRENT	300 Ampere
MAINS FREQUENCY	50 – 60 Hz automatic switchover
DIGITAL COMMANDS	24 VDC (max absorption: 20 ma)
SEALING ALARM CONTACT	250 V 4 A
REPETITIVENESS	≅ +/- 1°C
PREHEATING TEMPERATURE	Can be set by analog input 0-300°C
SEALING TEMPERATURE	Can be set by analog input 0-300°C
SEALING AND COOLING-DOWN TIME	External by PLC
WORKING ENVIRONMENT TEMPERAT.	-40°C + 50°C
THERMOREGULATOR PROTECTION RATING	IP00
POWER UNIT WEIGHT	kg 1.6

8 ORDERING DATA

8.1 CODES FOR ORDERING

ITEM CODE	DESCRIPTION	Details
3ES101S09V8	ISX 3L LOW COST SCR 90A V8 SV	Impulse thermoregulator - Low cost SECONDARY - 90 Ampere
3ES101S09V8_00004	ISX 3L LOW COST SCR 90A V8 LV	Impulse thermoregulator - Low cost SECONDARY - 90 Ampere Low Voltage
3ES080A002	TA	Amperometric transformer
	Power Transformer	Contact technical department for sizing
	Bands, Belts and sealing wires	Bands, belts and sealing wires with different profiles, in metres, specifically designed, copper-plated, Teflon-coated

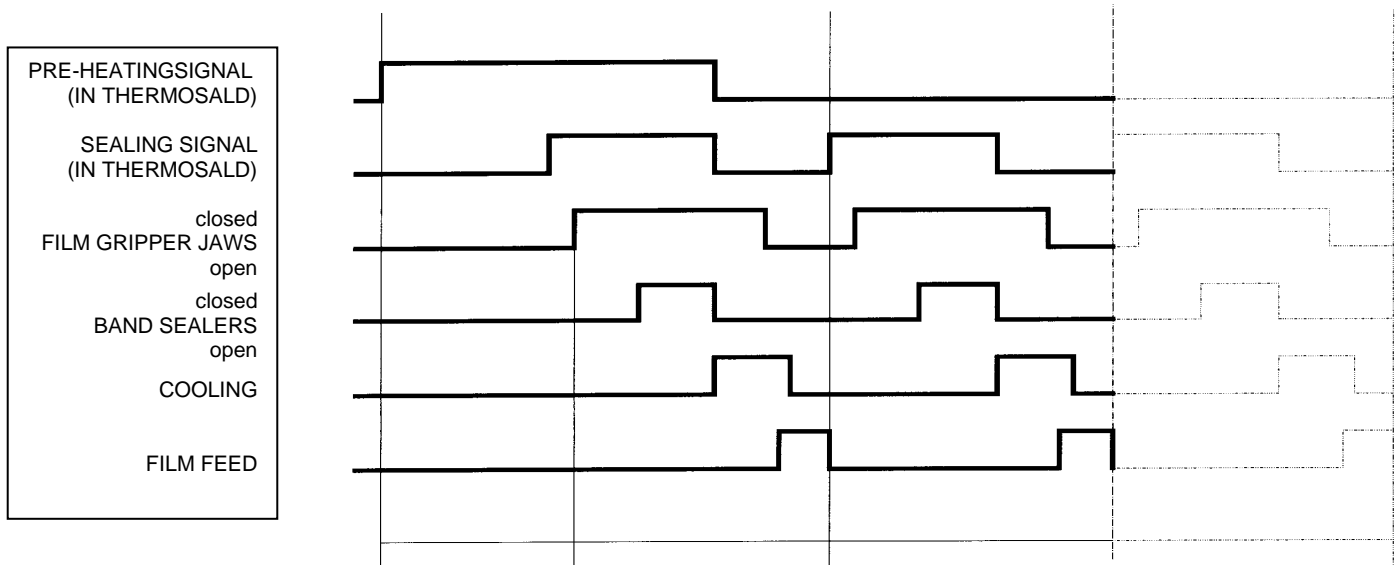
Installation and user manual V8 in ITALIAN	3ES101_MDU_V8_IT
Installation and user manual V8 in ENGLISH	3ES101_MDU_V8_EN

8.2 SUGGESTIONS FOR CHOOSING THE MODEL

- Use model ISX-LC60 for a total band cross-section $\leq 2\text{sq.mm}$
- Use model ISX-LC90 for a total band cross-section $> 2\text{sq.mm}$
- Use model ISX-LC HV option for transformer V secondary voltage $> 100\text{Vac}$
- Use model IPX-LC LV option for transformer V secondary voltage $< 10\text{Vac}$

APPENDIX A – SEALING CYCLE

NOTE - The sealing cycle suggested is given by way of example only and is not to be considered as a binding usage diagram. Experience shows that the timing must be changed according to the specific application, i.e. of the materials, dimensions, times, etc. For further information please contact our technical department.



APPENDIX D – LIST OF ALARMS AND MESSAGES (CAUSES – REMEDIES)

NOTE – To reset any alarm raise the RESET command from the interface and press the **RESET / MODE** button

NOTE – When in the alarm condition the RED LED lights up; the alarm number can be deducted from the green and red LED blinking:

ALARM NO.=NO. OF GREEN LED IMPULSES x 10 + NO. OF RED LED IMPULSES

NOTE – When in the warning condition the YELLOW LED lights up; the warning number can be deducted from the green and red LED blinking:

WARNING NO.=NO. OF GREEN LED IMPULSES x 10 + NO. OF RED LED IMPULSES

ALARM	DESCRIPTION	REMEDY
FAULT A	thermoregulator completely OFF plus display completely OFF	Check the power supply; power supply unit faulty; contact the supplier
F001	EEPROM WRITING INTERRUPTED	Switch the equipment OFF and then ON; then contact the supplier
F002	EEPROM WRITING WITH PREVIOUS OPERATION IN PROGRESS	Switch the equipment OFF and then ON; then contact the supplier
F003	EEPROM WRITING WITH FAULTY EEPROM	Switch the equipment OFF and then ON; then contact the supplier
F004	INDEX CORRUPTED SOFTWARE STRUCTURE READ-WRITE EEPROM	Switch the equipment OFF and then ON; then contact the supplier
F007	A/D CONVERTER –CONVERTER WRITING ERROR	Switch the equipment OFF and then ON; then contact the supplier
F008	INTERNAL I2C-X TRANSMISSION	Switch the equipment OFF and then ON
F009	DO NOT USE	
F010	A/D CONVERTER –CHANNEL SELECTION ERROR	Switch the equipment OFF and then ON; then contact the supplier
F032	WARNING WAITING POWER DURING CALIBRATING	Switch power on
F033	WARNING: no VOLTAGE IN THE POWER TRANSFORMER OR BAND NOT CONNECTED	Check the CN1/L1,L2 power supply, the power transformer circuit, check connection of the power cables on the band.
F034	DO NOT USE	

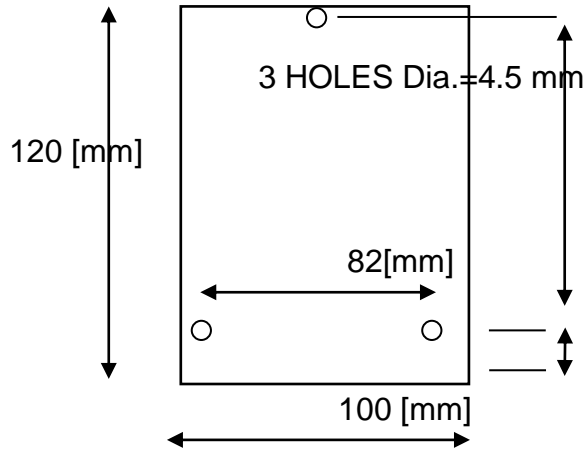
F038	WARNING – Waiting for machine to cool down upon calibration request	To perform a calibration procedure it is necessary to wait until the sealing bar reaches a stable temperature.
F041	DEFAULT HARDWARE DATA RAM CONTROL REAL TIME CORRUPTED	Switch the equipment OFF and then ON; then contact the supplier
F039	WARNING – Sealing out of range	Low power for the first sealing
F046	NO CURRENT SIGNAL	Check CT connection and band power cable connections
F047	CT SIGNAL REVERSED	Reverse CT connection
F048	PREHEAT POTENTIOMETER NOT CONNECTED OR CABLES INTERRUPTED	Check preheat potentiometer connections
F049	SEALING POTENTIOMETER NOT CONNECTED OR CABLES INTERRUPTED	Check sealing potentiometer connections
F051	WIPER-IGROSS	Switch the equipment OFF and then ON; if the problem persists, contact the supplier
F052	WIPER-VGROSS	Switch the equipment OFF and then ON; if the problem persists, contact the supplier
F053	WIPER-IFINE	Switch the equipment OFF and then ON; if the problem persists, contact the supplier
F054	WIPER-VFINE	Switch the equipment OFF and then ON; if the problem persists, contact the supplier
F059	PERIOD OF MAIN NET OUT OF RANGE (from V4.2)	Switch the equipment OFF and then ON
F060	RESET WITH CALIBRATION IN PROGRESS	Repeat calibration
F061	IGROSS BALANCE NOT SUCCESSFUL	Repeat calibration
F062	VGROSS BALANCE NOT SUCCESSFUL	Verify if Band +/- Ref connected together; Verify if voltage power transf. is right; Repeat calibration
F063	IFINE BALANCE NOT SUCCESSFUL	Repeat calibration
F064	VFINE BALANCE NOT SUCCESSFUL	Repeat calibration
F065	SUPERFINE BALANCE NOT SUCCESSFUL	Repeat calibration
F066	WARNING: SYNCHRONISM DUE TO MAINS FREQUENCY OSCILLATION - MAINS SYNCHRONISM INTERFERENCE	Verify connection power transformer and Main Frequency
F069	GROUND CURRENT	Check the band on the machine or the band connection, probably

		grounded. NOTE: the thermoregulator is grounded via a ground screw, the band wires must therefore be disconnected before checking using an electrical instrument.
F071	HARDWARE FAULT – ANALOGUE +/-15V BREAKAGE	Reset the equipment; if the problem persists, contact the supplier
F072	HARDWARE FAULT – ANALOGUE +/-5V BREAKAGE	Reset the equipment; if the problem persists, contact the supplier
F073	HARDWARE FAULT – REFERENCE +5V BREAKAGE	Reset the equipment; if the problem persists, contact the supplier
F074	INTERNAL TEMPERATURE PROBE – HEAT SINK TEMPERATURE TOO HIGH	Switch the equipment OFF; if the problem persists, contact the supplier
F075	WARNING INTERRUPT FIRE BLOCK	Verify connection power transformer and Main Frequency
F076	IREAD TOO HIGH	Check if there is a short circuit on the bands
F077	MANUAL CMD FROM THE PANEL NOT ACTIVE DUE TO PREHEAT OR SEALING FROM OUTSIDE	Remove the preheat and sealing before giving the command
F078	EQUIPMENT NOT CALIBRATED	Perform the automatic calibration procedure without giving the preheat or sealing command
F079	EMERGENCY CIRCUIT FAULT	Check the power contactor, check the emergency chain
F080	BACK_FIRE TIMER CONTROL	Reset the equipment; if the problem persists, contact the supplier
F081	HARDWARE FAULT – CHECKSUM ALARM READING EEPROM	Inconsistent data have been found on eeprom, proceed carefully Press RESET/MODE, check MACHINE DATA, SETTING DATA and TEMPERATURES set. Contact the supplier
F082	phase displacement between power (CN1) and control power supply (CN2) – only primary model	Make sure the two power supplies are in phase (pay attention to the phase-phase/phase-neutral phase displacement)
F083	REFERENCE CABLES REVERSED WITH RESPECT TO THE POWER CABLES	Check the reversed reference cables: CN1/3 corresponds to CN6/1

		CN1/4 corresponds to CN6/2
F089	BREAK OF A BAND IN CASE OF BANDS CONNECTED IN PARALLEL	Check the bands
F090	SHORT CIRCUIT BETWEEN THE BANDS OR BETWEEN THE BANDS AND GROUND	Check the bands, check power cabling between the thermoregulator and bands
F092	POWER COMPONENT FAULTY	Reset the equipment; if the problem persists, contact the manufacturer
F093	NO CURRENT ON THE BAND USED FOR SEALING	Check the power transformer, check for any interruption of the band, check for any interruption of the power cables
F094	REFERENCE CABLE INTERRUPTION	Check the reference cables (CN6/1 - CN6/2)
F095	NO MAINS SYNCHRONISM – NOT ACTIVE IN THE ISX-IPX MODELS	Internal hardware problem. Contact the manufacturer
F096	V-I TOO HIGH - NOT ACTIVE IN THE ISX-IPX MODELS	Saturation on the voltage circuit; check the system, probably a band broke if it is connected in parallel
F097	PARTIAL SHORT CIRCUIT BETWEEN THE BANDS	Check the bands on the machine, Probably they are not insulated correctly. If the band is fine and the problem persists, let the machine cool down and calibrate. Pay attention to the machine's behaviour in the subsequent working phases. To remove the problem the PARTIAL SHORT CIRCUIT FACTOR MACHINE DATA can also be raised.
F099	ALARM UNKNOWN	Contact the manufacturer

APPENDIX E – MECHANICAL DIMENSIONS

THERMOREGULATOR DIMENSIONS
100 x 120 (VIEW FROM TOP)
HEIGHT = 135mm



DRILLING TEMPLATE

95 [mm]

20 [mm]

APPENDIX F – TABLE OF BANDS

TABLE OF THE CHAMFERED BANDS IN SPECIAL ALLOY
(Band extension 50PPM, 0.05mm/metre per degree – 5mm/metre per 100 degrees)

Band Width (mm)	Band Thickness (mm)	Specific Resistance R0 Ω / m
1.5	0.3	1.67
2	0.25	1.59
3	0.1	2.95
3	0.15	1.95
3	0.2	1.50
3	0.25	1.27
4	0.15	1.40
4	0.25	0.96
5	0.2	0.8
5	0.25	0.69
6	0.1	1.6
6	0.2	0.72
8	0.1	1.2
8	0.2	0.51

TABLE OF THE T-SHAPE BANDS IN SPECIAL ALLOY

Band Width (mm)	Band Thickness (mm)	Specific Resistance R0 Ω / m
2.8	0.3	0.9
4	0.3	0.6

TABLE OF THE BEADED ELEMENT BANDS IN SPECIAL ALLOY

Band Width (mm)	Band Thickness (mm)	Specific Resistance R0 Ω / m
4	0.15	1.4
4	0.25	0.9
6	0.15	0.99
6	0.25	0.6

TABLE OF THE CONCAVE BANDS IN SPECIAL ALLOY

Band Width (mm)	Band Thickness (mm)	Specific Resistance R0 Ω / m
2.8	0.3	0.9

APPENDIX G – COMMISSIONING SHEET

SEALING BANDS WIDTH X THICKNESS	
SEALING BANDS TOTAL LENGTH	
USEFULL LENGTH (TOTAL - COPPER	
TRANSFORMER POWER [VA]	
TRANSFORMER PRIMARY VOLTAGE [V]	
TRANSFORMER SECONDARY VOLT [V]	
THERMOSALD ISX / IPX MODEL	
ORDERED OPTIONS	
PREHEAT TEMPERATURE [°C]	
SEALING TEMPERATURE [°C]	
SEALING TIME [Sec.]	